



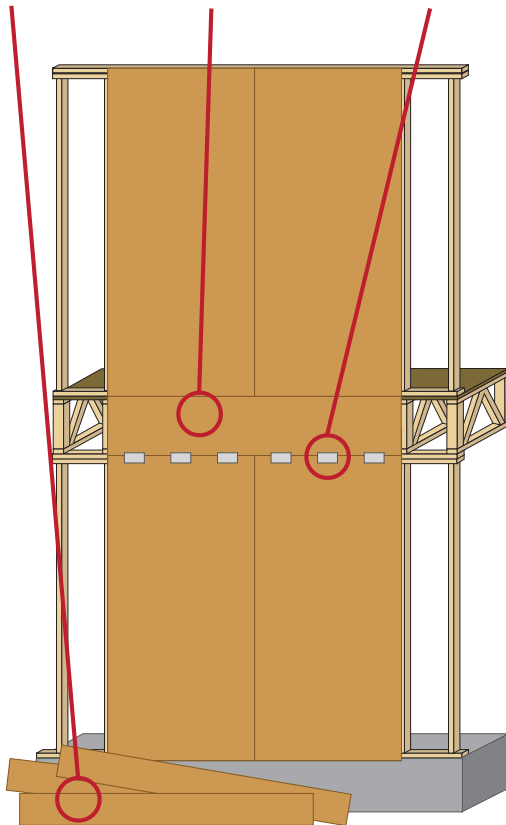
USE PRECUT STUDS? TRY PRECUT OSB.

THE OLD WAY

Time Consuming
Trimming & Waste

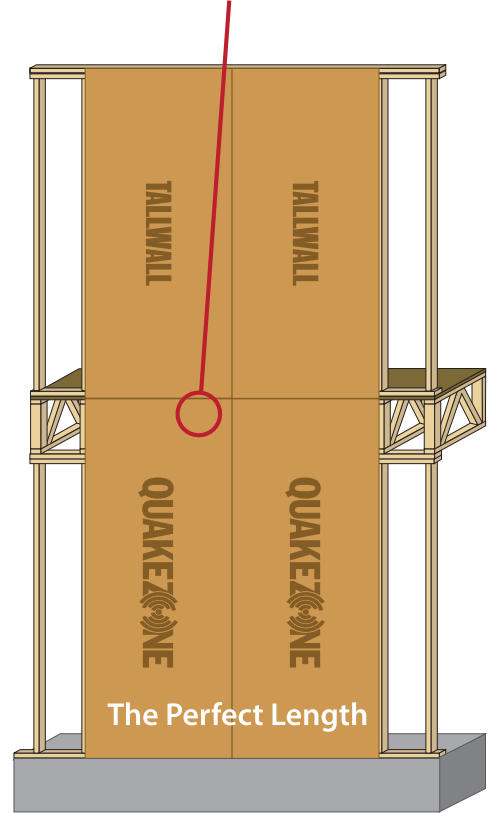
Filler
Strip

Additional Metal
Hardware & Labor



THE QUAKEZONE WAY

No Trimming Filler Strips, Less Hardware,
Less Labor, Less Waste & Disposal



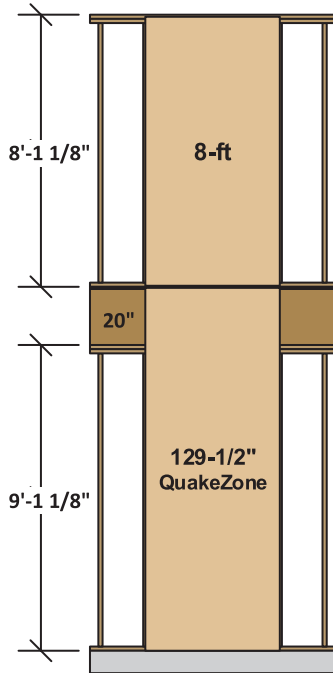
- ✓ Precut for the way YOU frame
- ✓ Simplifies 2, 3, 4 and 5 story construction

- ✓ Reduces metal hardware, trimming and waste
- ✓ Reduces labor costs

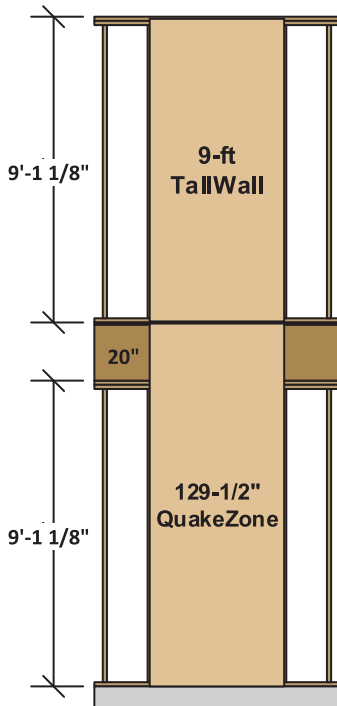
QUAKEZONE – THE FASTER, SIMPLER AND SMARTER WAY TO FRAME

SINGLE-FAMILY

Two Story



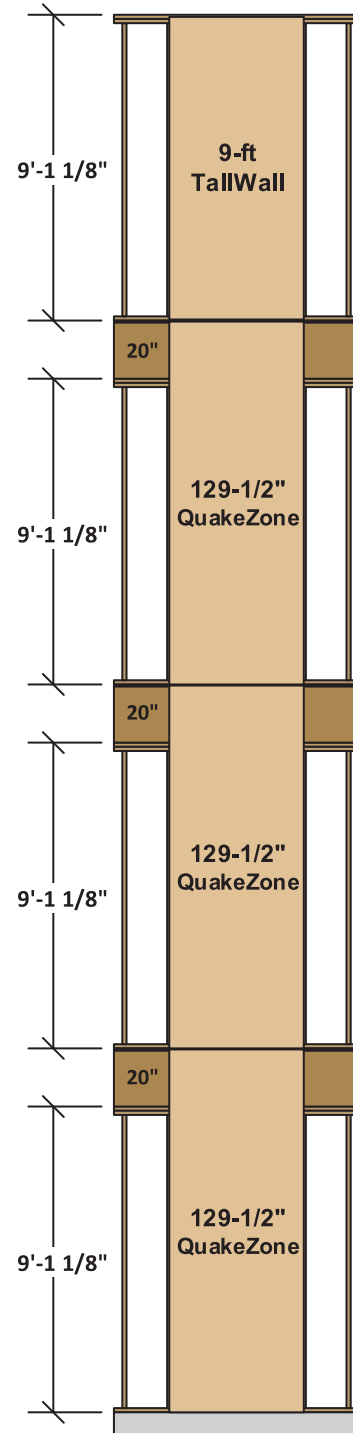
Story Heights
9-ft / 8-ft



Story Heights
9-ft / 9-ft

MULTIFAMILY

Three, Four & Five Story



SIZES & GRADES

QuakeZone is available in 7/16



West Fraser

FOR MORE INFORMATION CONTACT
GREGORY.BATES@WESTFRASER.COM
WESTFRASER.COM/OSB